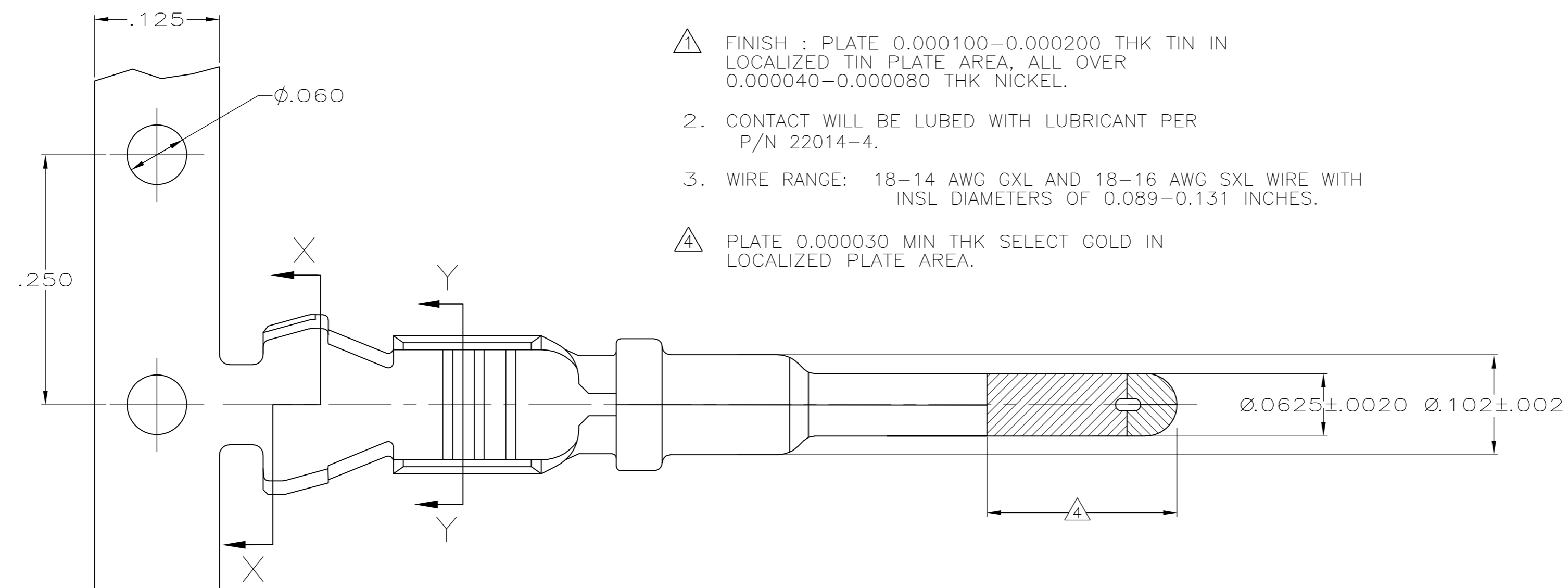
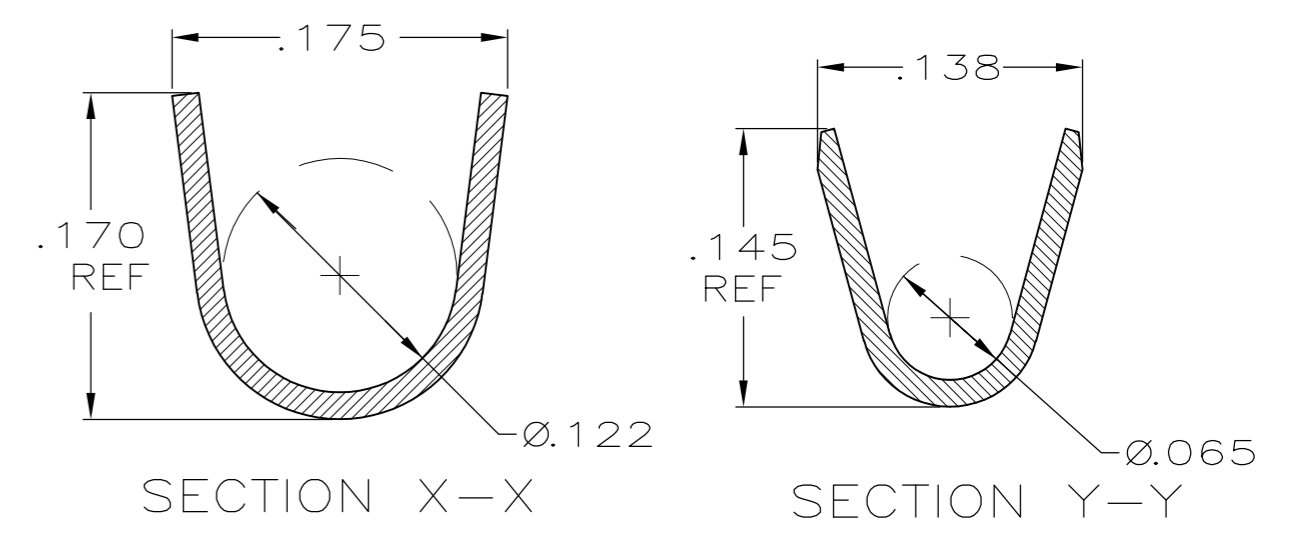
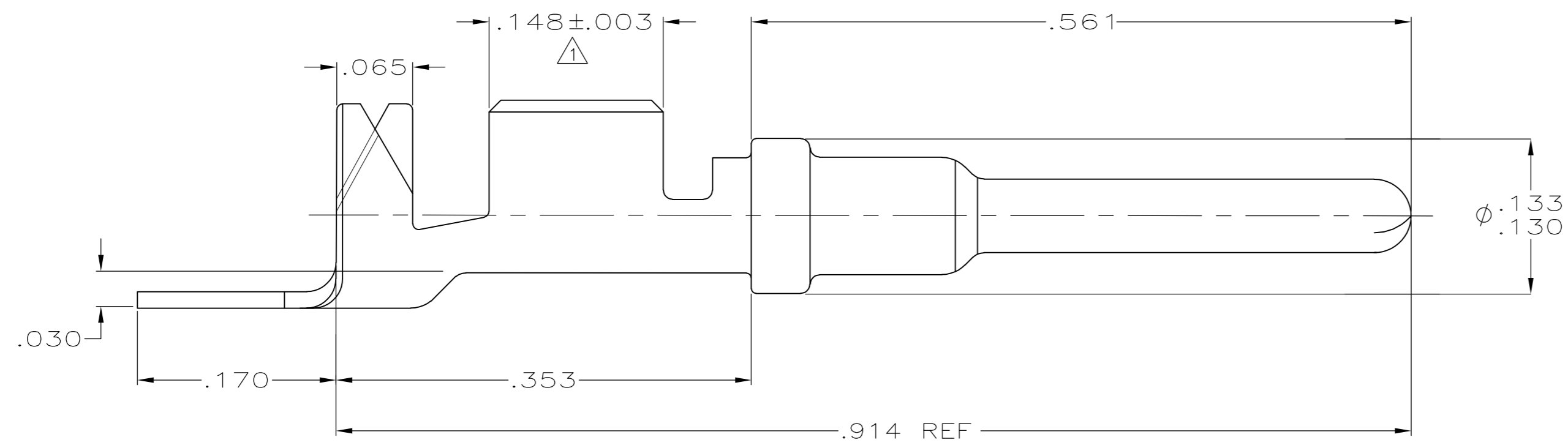


THIS DRAWING IS UNPUBLISHED. RELEASED FOR PUBLICATION  
 © COPYRIGHT - By - ALL RIGHTS RESERVED.

LOC	DIST	REVISIONS					
GE	33	P	LTR	DESCRIPTION	DATE	DWN	APVD
		E2		REVISED PER ECO-11-005030	11MAR11	RK	HMR



- 1. FINISH : PLATE 0.000100-0.000200 THK TIN IN LOCALIZED TIN PLATE AREA, ALL OVER 0.000040-0.000080 THK NICKEL.
- 2. CONTACT WILL BE LUBED WITH LUBRICANT PER P/N 22014-4.
- 3. WIRE RANGE: 18-14 AWG GXL AND 18-16 AWG SXL WIRE WITH INSL DIAMETERS OF 0.089-0.131 INCHES.
- 4. PLATE 0.000030 MIN THK SELECT GOLD IN LOCALIZED PLATE AREA.



1	638078-3
1 4	638078-1

THIS DRAWING IS A CONTROLLED DOCUMENT.		DWN	P. YEAGER	6-13-97	 TE Connectivity
DIMENSIONS: INCHES		CHK	W LONG	6-13-97	
TOLERANCES UNLESS OTHERWISE SPECIFIED:		APVD	W LONG	6-13-97	
0 PLC ± - 1 PLC ± - 2 PLC ± .02 3 PLC ± .005 4 PLC ± - ANGLES ± -		PRODUCT SPEC	NAME		
MATERIAL: 0.014 TK CU ALLOY		FINISH	-		APPLICATION SPEC
		WEIGHT	-		SIZE
		CUSTOMER DRAWING		SCALE	10:1
		A2 00779 C=638078		SHEET	1 of 1
				REV	E2